

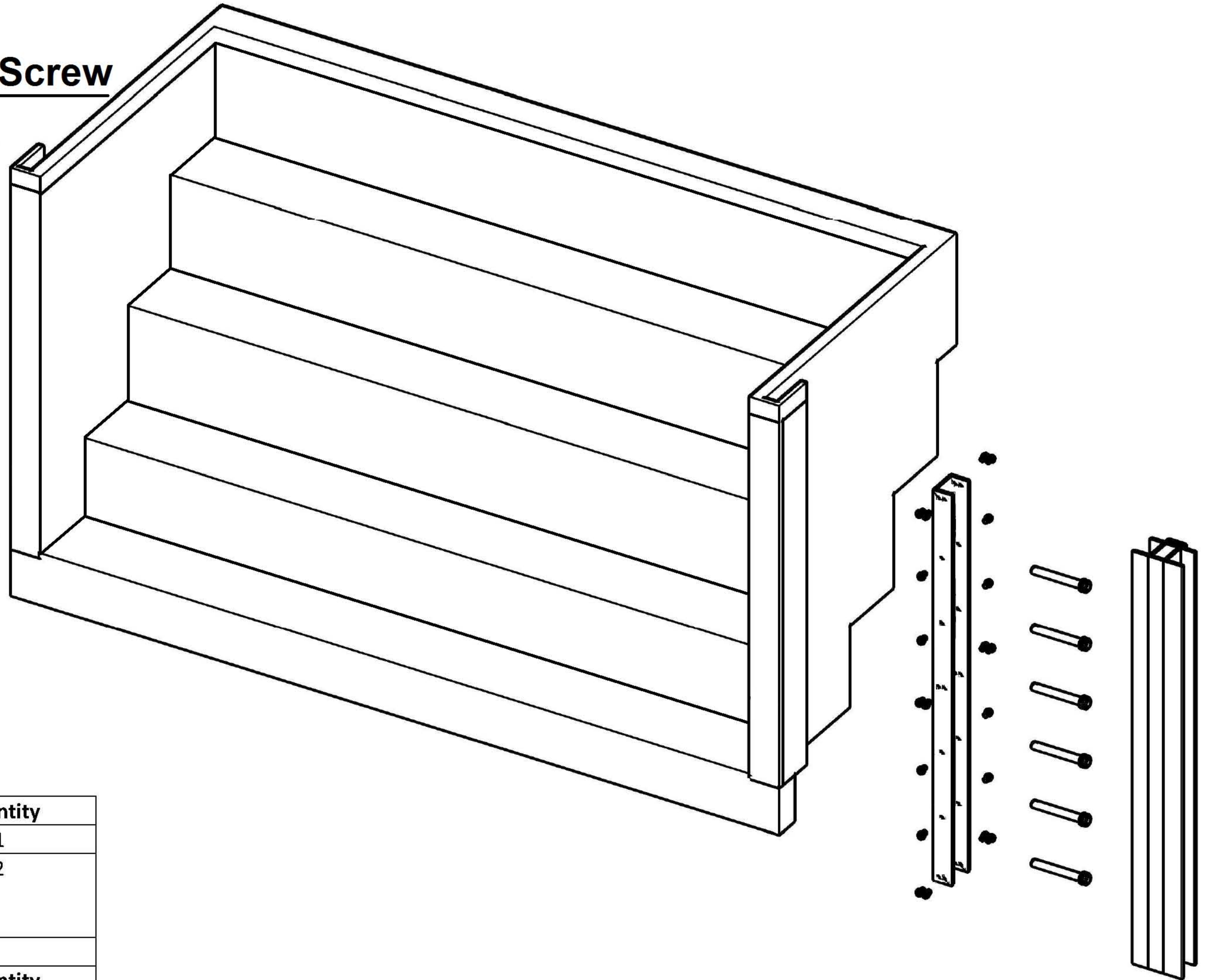
Walk-Out Steps Adapter Kit

Buttress Post

1" Screw

Bolt

Vertical C-Channel



Part	Size	Quantity
Walk-Out Steps	8'x52"	1
Vertical C-Channel (use Bottom Channel provided)	48" in length	2
Hardware		
Bolt	3/8" (1" in length)	12
Nut	3/8"	12
Washer	3/8"	24
Self-Tapping Screw	1"	40

