

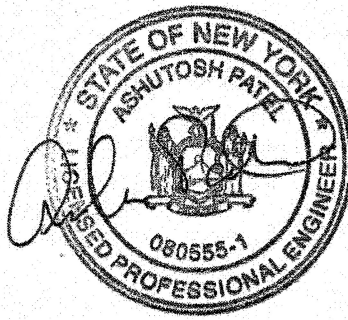
May 8, 2018

RE: Engineering Approval of EZ Rectangle Pool – Model #2200 – 52" Above Ground and In-Ground Pool as Manufactured by PlayGo Pools.

Gentlemen:

I have completed an analysis of the above referenced swimming pools with a maximum water height of 52".

When installed in strict accordance with the manufacturer's installation instructions, and using all components & parts per attached, they fall within the boundaries of the factors of safety. The pools are built in conformance to 2015 ISPCS International Swimming Pool and Spa Code.



Very Truly Yours,

Ashutosh Patel, P.E.

NY PE License No. 080555

ENGINEERS SEAL NOT VALID WITHOUT ACCOMPANYING ATTACHMENTS NOTED BELOW

Attachments:

- 1 – Above ground installation & parts manual
- 2 – In-ground installation & parts manual



THE POOL FACTORY / PLAYGO POOL PRODUCTS

EZ Family Fun!

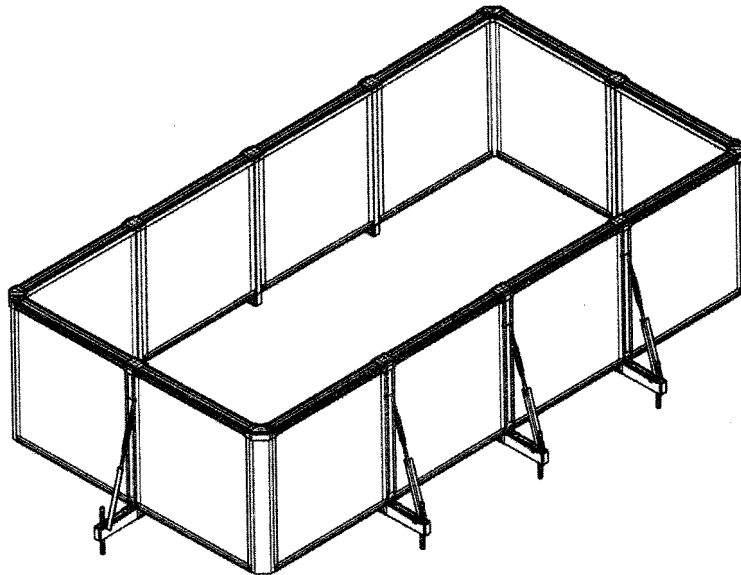
92 South Empire Street, Wilkes-Barre, PA 18702

Telephone: (570) 606-1134 • **Facsimile:** (570) 543-0341

Web: www.playgopoolproducts.com • **E-mail:** info@playgopoolproducts.com

EZ RECTANGLE POOL - MODEL # 2200

IN-GROUND





THE POOL FACTORY / PLAYGO POOL PRODUCTS

EZ Family Fun!

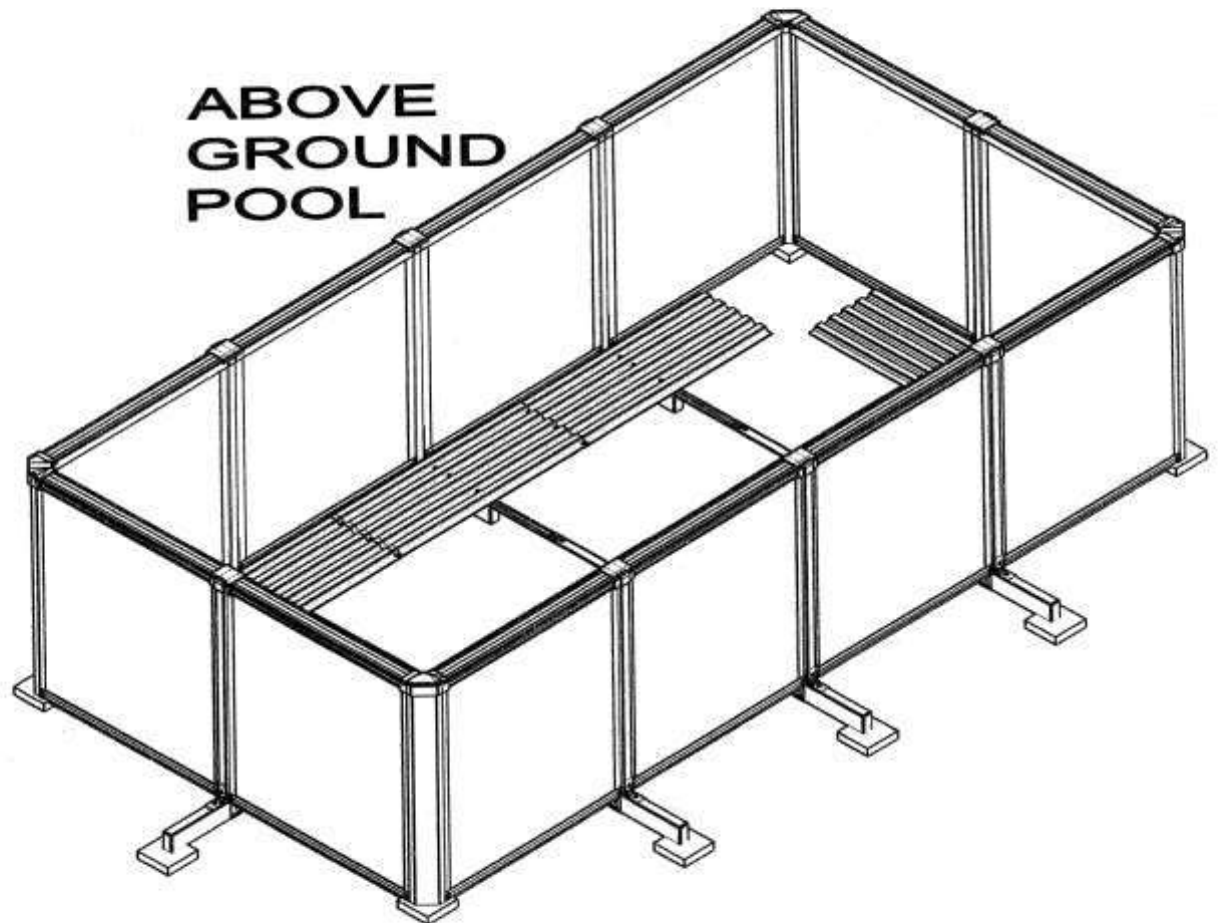
92 South Empire Street, Wilkes-Barre, PA 18702

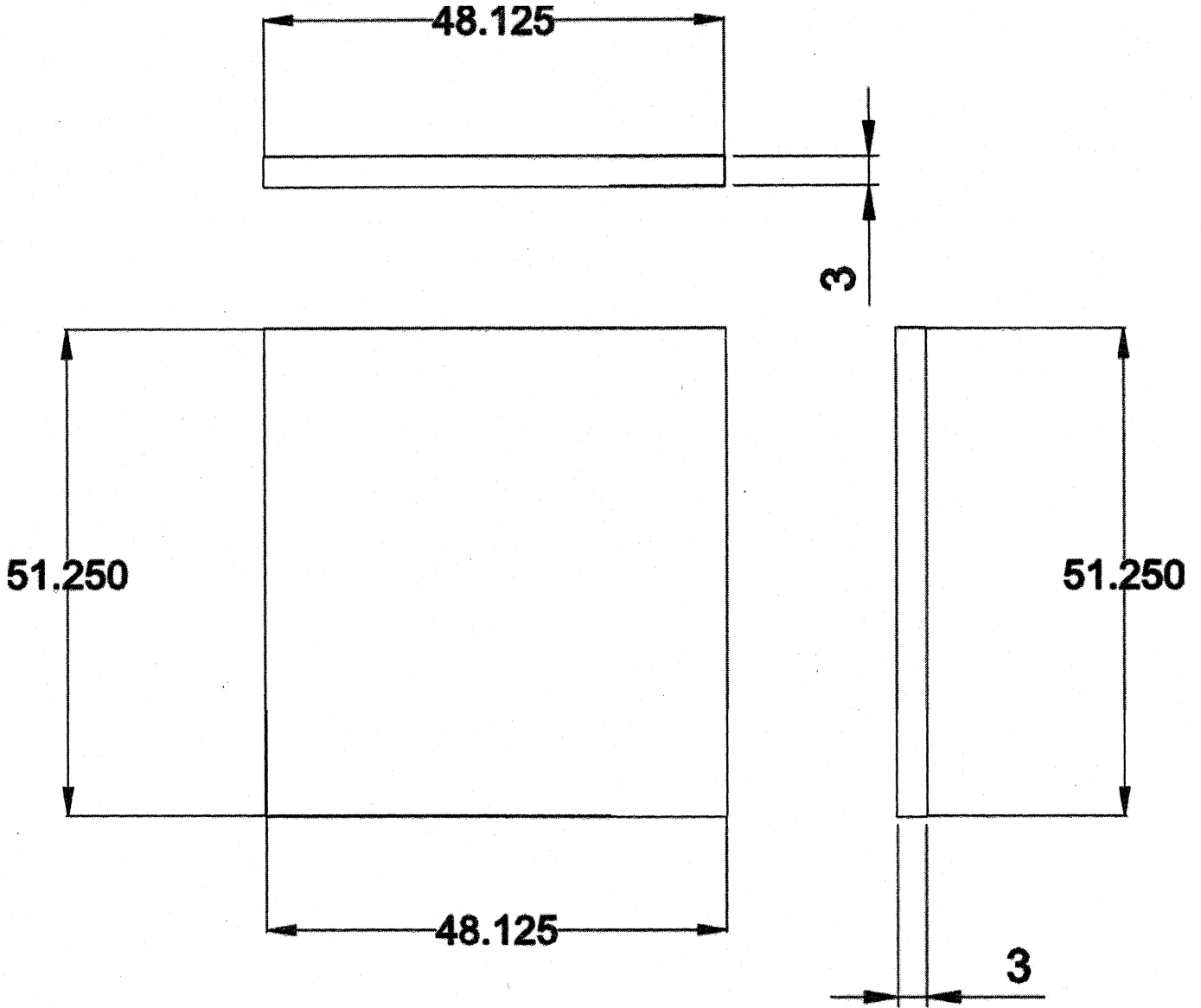
Telephone: (570) 606-1134 • Facsimile: (570) 543-0341

Web: www.playgopoolproducts.com • E-mail: info@playgopoolproducts.com

EZ RECTANGLE POOL - MODEL # 2200

ABOVE GROUND





**PROPRIETARY
AND
CONFIDENTIAL**

PART NAME	WALL PANEL	MATERIAL	PERMATHERM STRUCUAL INSULATED PANEL	DWG NO.	1	SCALE	NONE
DRAWN	4/7/18	C.Z.	THE POOL FACTORY INC	PART NO	1-AGIG	REV	
APPR	4/7/18	G.T.					

**FOR FULL TECHNICAL INFO ON PERMATHERM PANELS GO TO:
<http://www.permatherm.net/metal-panel-systems/insulated-wall-panels>**